

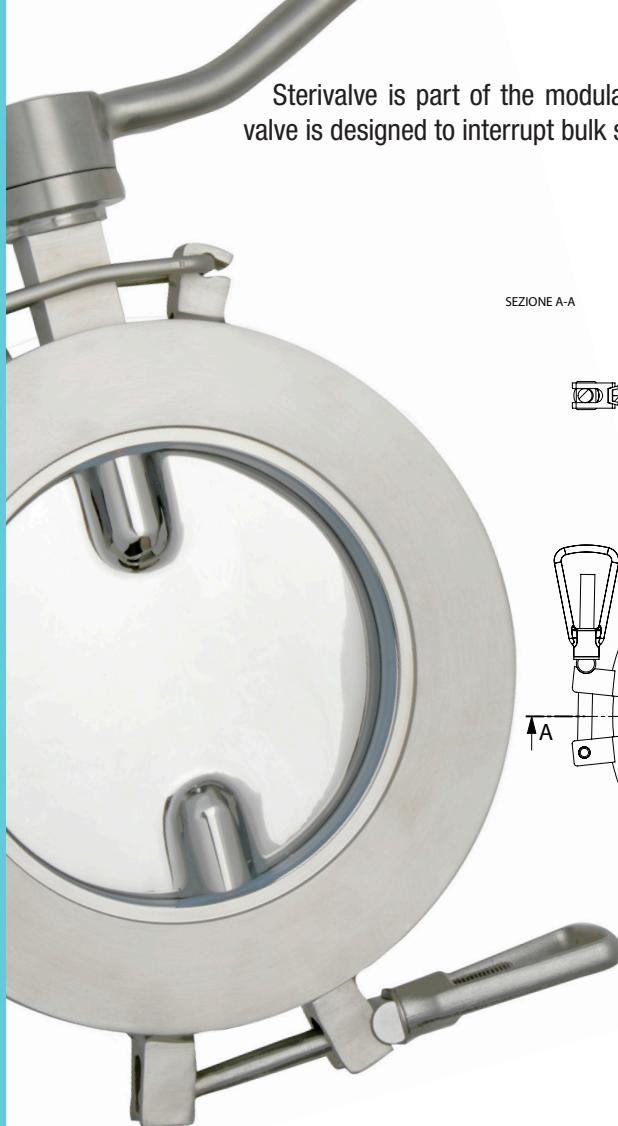


 **STERIVALVES**
Process Advantage

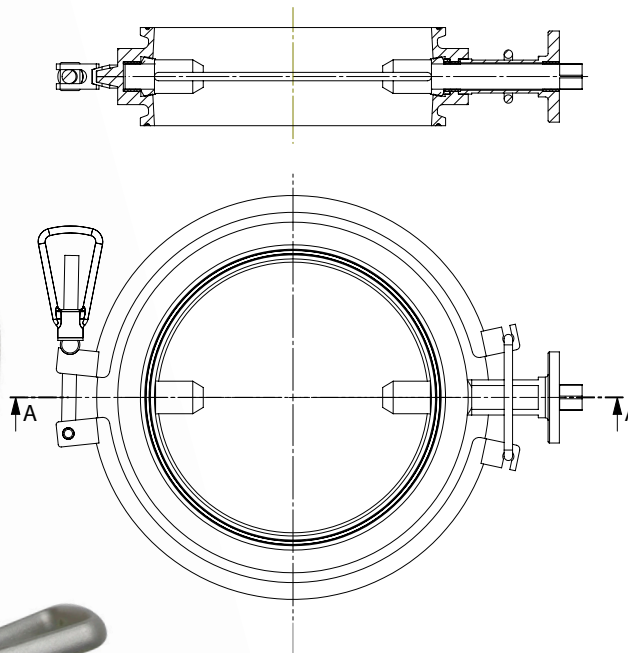
INTERCEPTION

STERIVALVE

Sterivalve is part of the modular system (see modular system sheet). This valve is designed to interrupt bulk solid products (powders, granules, etc.) flow.



SEZIONE A-A



A possible configuration

TYPICAL APPLICATIONS:

Interruption of products flow on containers, hoppers and pipes

MAIN FEATURES:

- Manufactured according to cGMP and EHEDG guidelines
- Suitable for CIP and SIP

MATERIALS:

- Body and Butterfly: Stainless steel EN 1.4404 (AISI 316L)
- Seals: Translucent Silicone, EPDM, FKM (Viton®), PTFE

MOTION DRIVE:

- Handle
- Pneumatic actuator

DECLARATIONS AND CERTIFICATIONS:

- FDA Certification (CFR § 177.2600)
- Material Certificate 3.1 as per EN10204
- ATEX

SIZES:

80	100	150	200	250	300	350	400
----	-----	-----	-----	-----	-----	-----	-----

FINISH:

Ra 0.5 µm internal, 1.2 µm external