



 **STERIVALVES**  
Process Advantage

CRUSHING  
**ROTOCRUSHER**

It is a lump breaker Its output covers a flow rate ranging from a 750 kg/h minimum to a 3 t/h maximum. Tools are designed taking into consideration specific products. In the processing stage, the product is broken down by one or two rollers.



**TYPICAL APPLICATIONS:**

Thanks to its modular, compact construction, the crusher can also be employed as a pre-breaker in conjunction with a sieve, a mill, etc.

**MAIN FEATURES:**

- Manufactured according to cGMP
- Suitable for CIP and SIP

**MATERIALS:**

- Stainless steel EN 1.4404 (AISI 316L)

**MOTION DRIVE:**

- Electric motor

**INLET/OUTLET DIAMETERS:**

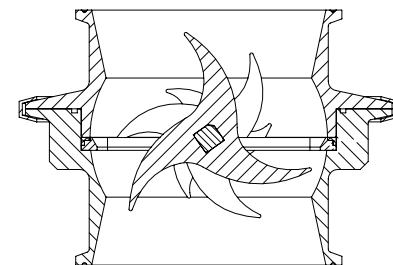
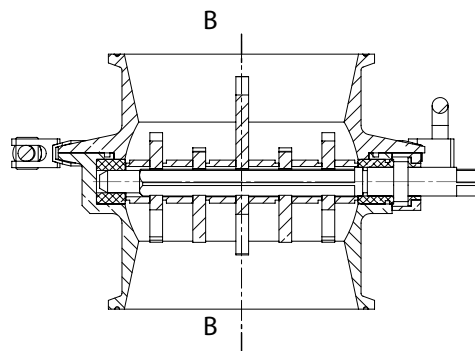
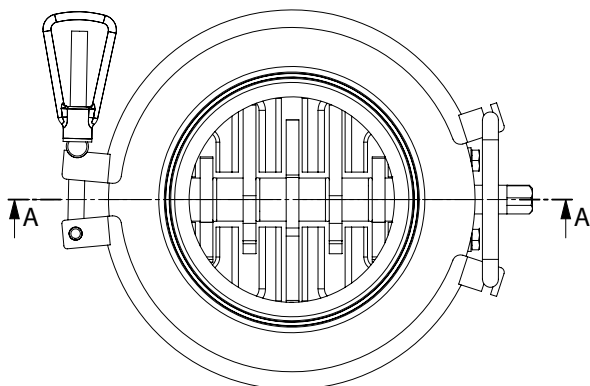
- Minimum dn: 100 mm - Maximum dn: 300 mm

**DECLARATIONS AND CERTIFICATIONS:**

- FDA Certification (CFR § 177.2600)
- Material Certificate 3.1 as per EN10204

**FINISH:**

Ra 1.2 µm external 0,5 internal



*A possible configuration*