



 **DOSING**
ROTOVALVE PLUS

DOSING ROTOVALVE PLUS

 European Patent N. EP3236118

The Rotovalve Plus is designed to aid the feeding and volumetric dosing of bulk solid products. Two of the main features are GMP compliance and compact design. It is especially designed to be easily cleaned (CIP and SIP) and dismounted reducing downtime and production loss.

MAIN FEATURES AND DOCUMENTATIONS

VALVE BODY AND ROTOR MATERIALS

- Stainless Steel EN 1.4404 (AISI 316L)
- Hastelloy ® C22/C276
- Low δ -ferrite Stainless Steel
- Other types of Stainless Steel Available upon request

FINISHING

- Parts in contact with product: Ra<0,5 μ m Other parts: Ra<1,2 μ m
- Electropolishing upon request
- Other finishing upon request

CONNECTIONS

- Tri-Clamp BS4825-3

CONTROL SYSTEM

- PLC Control Panel

SECTORS

Pharmaceutical, API, chemical and food industries

FIELDS OF APPLICATION

Feeding of hoppers, mills, tablet presses, mixers, packaging and process machines. Whenever it is necessary dosing and feeding of powders and granulates.

MATERIALE GUARNIZIONE

- Silicone
- EPDM bianco

CERTIFICATES AND DECLARATIONS

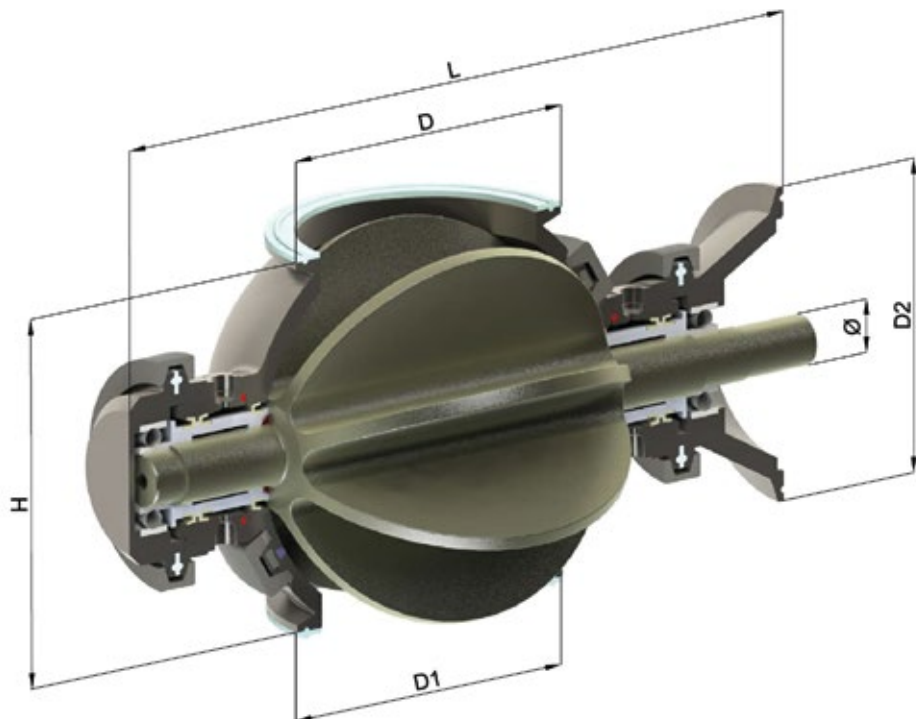
- Material certificate EN 10204-3.1 for metallic parts
- FDA 21 CFR 177.2600 or FDA 21 CFR 177.1550 for polymeric parts
- Traceability report (*)
- Roughness test map (*)
- CE declaration of incorporation as per Directive 2006/42/EC

AUTOMATION

- Electric gearmotor with frequency inverter
- Pneumatic gear motor
- Brushless gear motor with feedback

(*) Documentation available upon request.





VALVE DIMENSIONS AND WEIGHT

ND [mm]	D	D1	D2	∅	L	H	Weight [kg]
100	91	91	119	19	352	104	6,5
150	119	119	119	19	302	140	12
200	167	167	119	19	352	180	18

FUNCTIONAL PARAMETERS

ND [mm]	MAX WORKING SPEED	DISPLACED VOLUME
	[RPM]	Volume/ Revolution [l/revolution]
100	2+56	0,35
150	2+48	1,26
200	2+38	3,33

The displaced volume is calculated with a 100% cavity fill. The gravimetric flow rate is based on the product and plant characteristics.

VALVE CONFIGURATION

RVO	Valve type (RVO = RotoValve Plus)			
100	Nominal diameter [mm]	100	150	200
SR	Body assembly style	SR = Clamped body assembly		
M	Motion drive	M= Electric motor configuration		
N	Gasket Material	Silicone	EPDM	
T	Inlet & Outlet connections	T= Tri-clamp flange		
T				

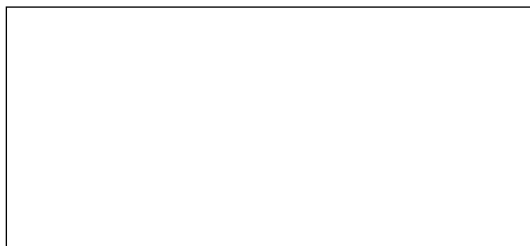
This product has been manufactured in compliance with the rules established by the Quality Management System ISO 9001 : 2015 rated by Bureau Veritas Italy S.p.A. and covered by certificate No. IT268312. Each valve is designed, manufactured, tested and individually packed in our facilities in Lucca (Italy). The serial number and the SterValves logo is then etched on the valve to guarantee the manufacturing quality and the traceability.





SteriValves Srl - Via Enrico Mattei, 293/N - 55100 Lucca, Italy
T +39 0583 440 560 E-mail info@sterivalves.eu

www.sterivalves.eu



SteriValves srl © 2019 – All rights reserved.

“The information included in this document is provided «as is». The information may be changed at any time without prior notice.”